



HORECAPROFESSIONALS

STRONGER TOGETHER



OFFCAR®

THE GREAT COOKING

M7CBG06

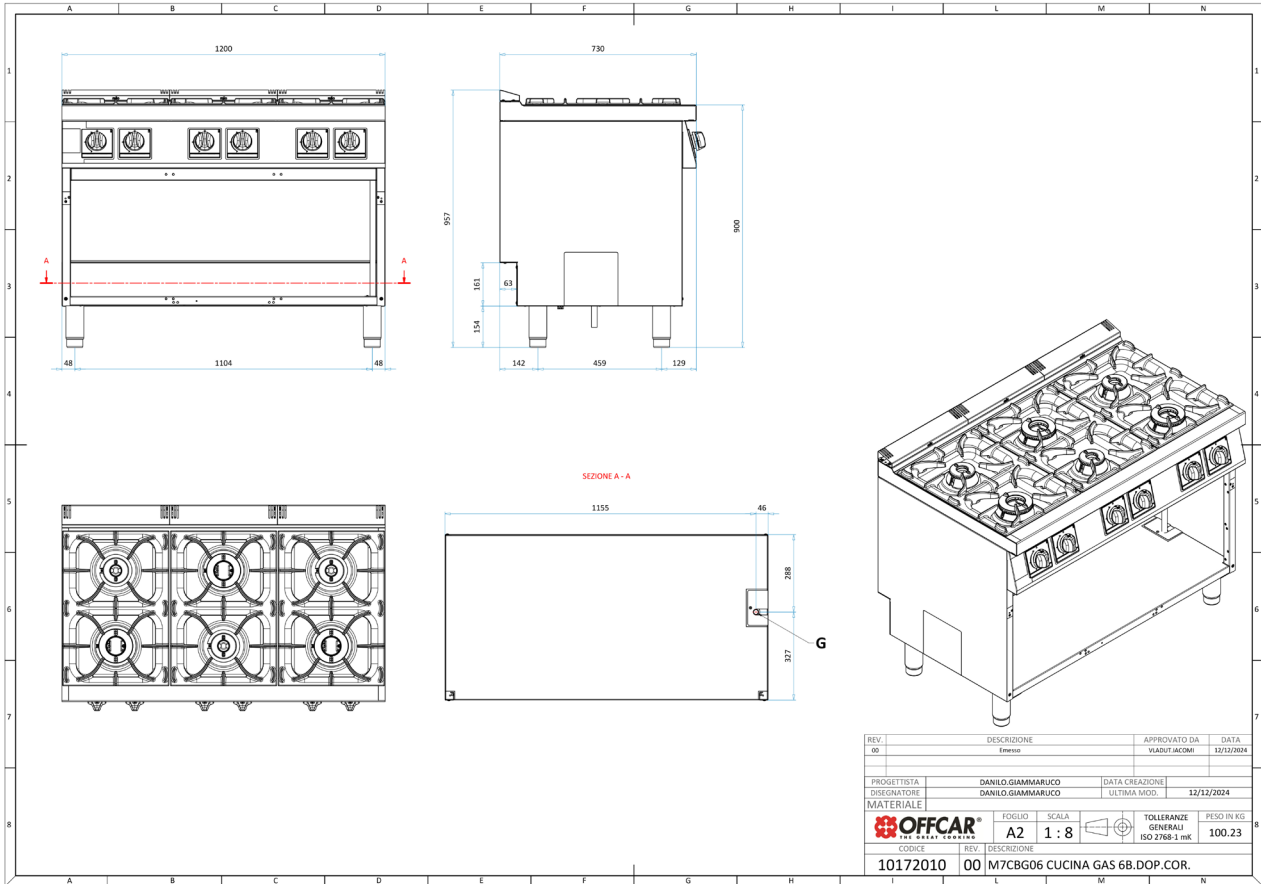
Kuchnia gazowa 6-palnikowa na podstawie otwartej



PARAMETRY TECHNICZNE

| | | |
|----------------------------|------|-------------------|
| Moc całkowita gazowa | kW | 36 |
| Średnica przyłącza | cal | 1/2" |
| Wymiary szer. x gł. x wys. | mm | 1200x730x900 |
| Ilość palników | szt. | 6 |
| Moc palników | kW | 3 x 7,5 / 3 x 4,5 |
| Waga netto | kg | 92 |
| Waga brutto | kg | 123 |
| Wymiary opakowania | mm | 1267x972x1264 |

WYMIARY



| | | | |
|-------------|-------------------|-----------------------------------|------------|
| REV. | DESCRIZIONE | APPROVATO DA | DATA |
| 00 | Finire | VASSUTACORNI | 12/12/2024 |
| PROGETTISTA | DANILO GIAMMARUCO | DATA CREAZIONE | 12/12/2024 |
| DISEGNATORE | DANILO GIAMMARUCO | ULTIMA MOD. | |
| MATERIALE | | | |
| OFFCAR | | FOGLIO | SCALA |
| | | A2 | 1 : 8 |
| | | TOLLERANZE GENERALI ISO 2768-1 mK | |
| | | 100.23 | |
| DESCRIZIONE | | | |
| 10172010 | 00 | M7CBG06 CUCINA GAS 6B.DOP.COR. | |